



此款应用高端直角解决方案，保持原有MAF系列的设计与性能。

A high-performance right-angle solution for servo applications that keeps MAF's design and characteristics.



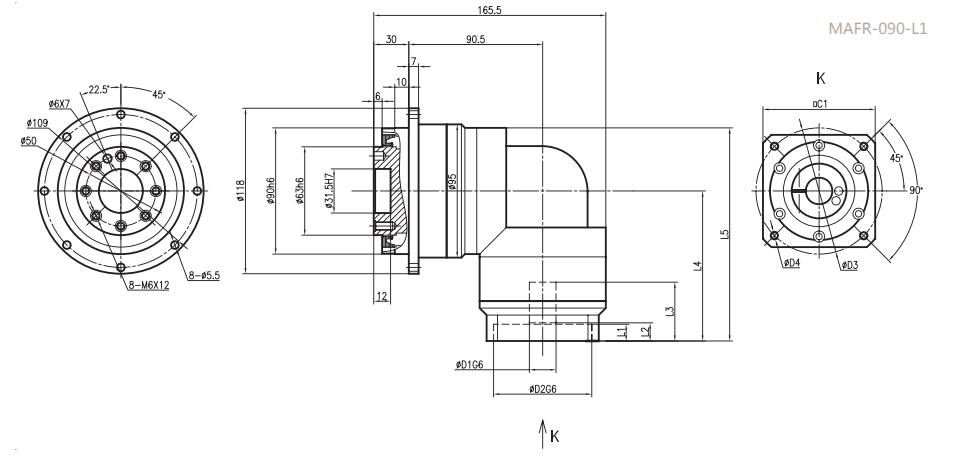
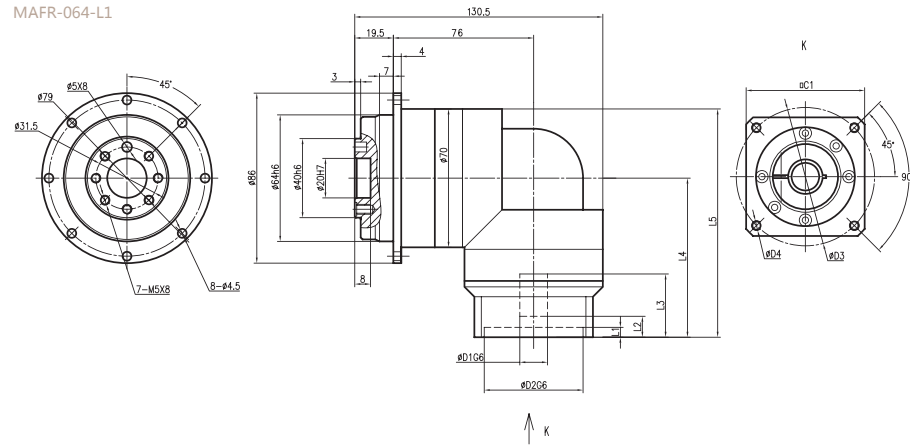
造型数据:

Selection data:

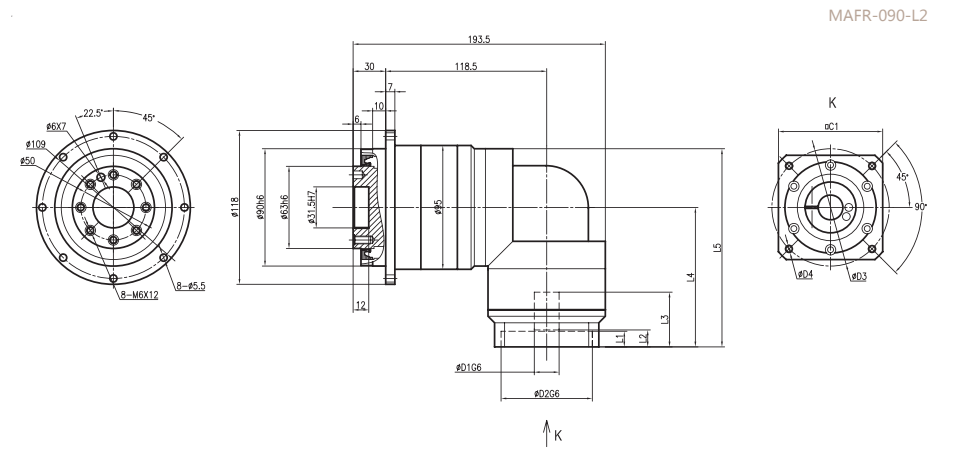
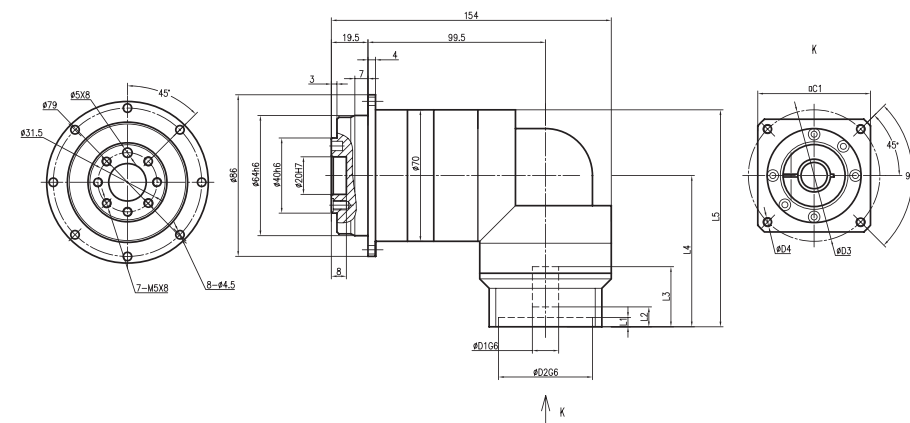
扭矩 (Nm)	22-600
速比	4-100
背隙 (arcmin)	≤8
最大工作温度 (°C)	90
噪音 (dB)	62-71

Nominal output torque (Nm)	22-600
Reduction ratio	3-100
Backlash (arcmin)	≤8
Max.working temperature (°C)	90
Noise (dB)	62-71

MAFR-064-L1



MAFR-064-L2



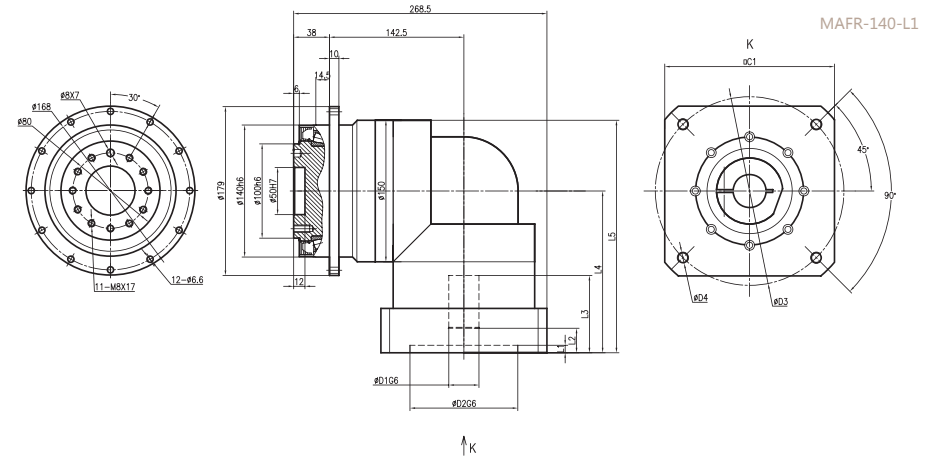
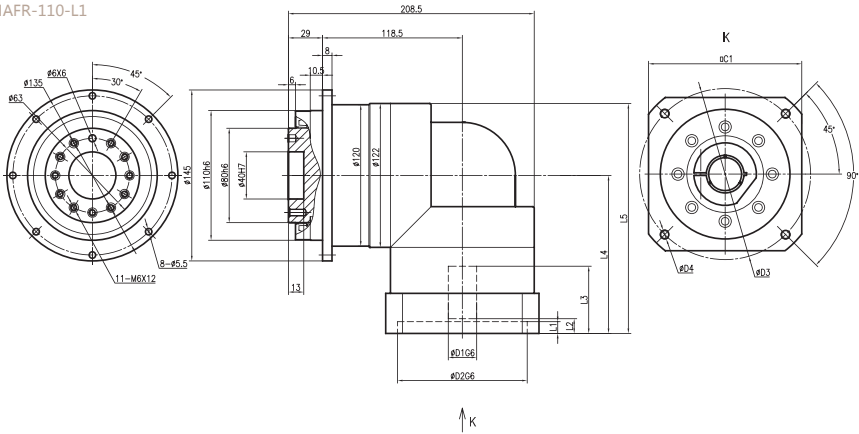
Flange	D1*	D2*	D3*	D4*	L1*	L2*	L3*	L4*	L5*	C1*
Type I	$\phi 11$	$\phi 50$	$\phi 70$	4-M4X8	5	10.5	32	86	121	60
Type II	$\phi 14$	$\phi 50$	$\phi 70$	4-M4X8	5	10.5	32	86	121	60

Flange	D1*	D2*	D3*	D4*	L1*	L2*	L3*	L4*	L5*	C1*
Type I	$\phi 19$	$\phi 70$	$\phi 90$	4-M8X16	12	13	42	107	152	80
Type II	$\phi 22$	$\phi 110$	$\phi 145$	4-M8X16	12	13	60	125	170	130
Type III	$\phi 24$	$\phi 110$	$\phi 145$	4-M8X16	12	13	60	125	170	130

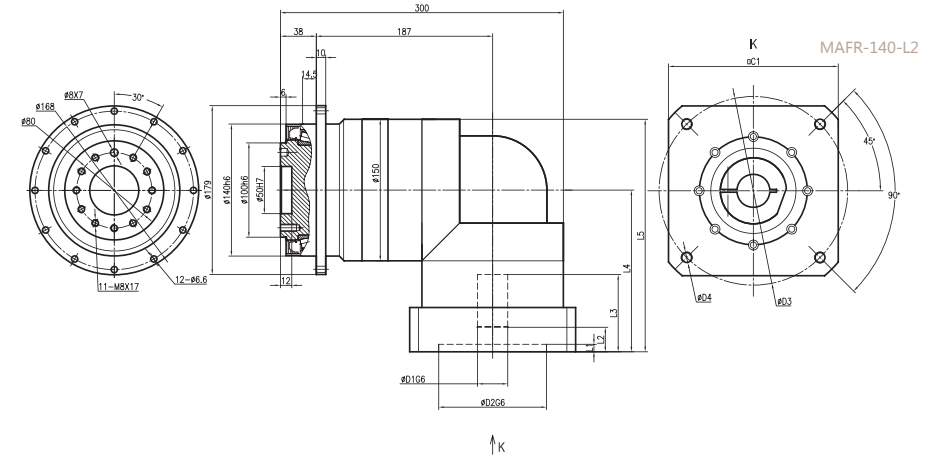
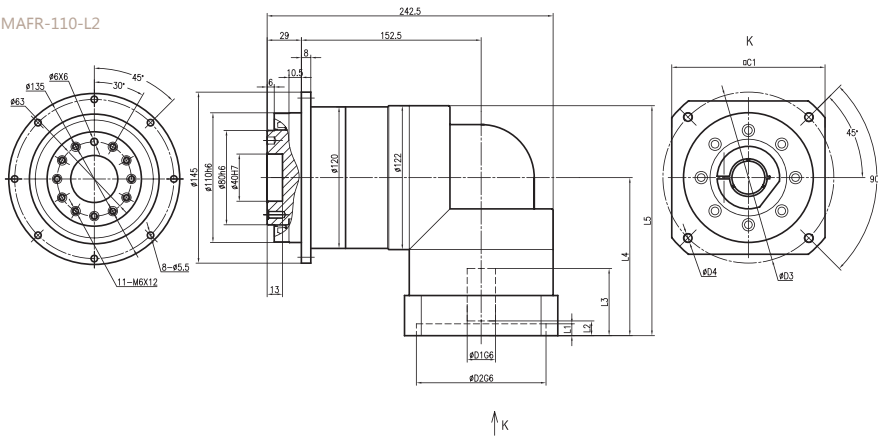
*Dimensions based on servo-motor, please contact us for custom made order.
注有 * 尺寸：代表可根据客户需求定制产品，如有需要，请联系我们！

*Dimensions based on servo-motor, please contact us for custom made order.
注有 * 尺寸：代表可根据客户需求定制产品，如有需要，请联系我们！

MAFR-110-L1



MAFR-110-L2



Flange	D1*	D2*	D3*	D4*	L1*	L2*	L3*	L4*	L5*	C1*
Type I	$\phi 22$	$\phi 110$	$\phi 145$	4-M8X16	10	19	64.5	141.5	202.5	130
Type II	$\phi 24$	$\phi 110$	$\phi 145$	4-M8X16	10	19	64.5	141.5	202.5	130
Type III	$\phi 32$	$\phi 130$	$\phi 165$	4-M10X20	10	19	60	147.5	208.5	160

Flange	D1*	D2*	D3*	D4*	L1*	L2*	L3*	L4*	L5*	C1*
Type I	$\phi 24$	$\phi 110$	$\phi 145$	4-M8X16	8	17	67	167	217.5	130
Type II	$\phi 32$	$\phi 114.3$	$\phi 165$	4-M10X20	8	17	67	167	217.5	160
Type III	$\phi 35$	$\phi 114.3$	$\phi 200$	4-M12X25	8	26	82	171.5	246.5	176

*Dimensions based on servo-motor, please contact us for custom made order.
注有 * 尺寸：代表可根据客户需求定制产品，如有需要，请联系我们！

*Dimensions based on servo-motor, please contact us for custom made order.
注有 * 尺寸：代表可根据客户需求定制产品，如有需要，请联系我们！

MAFR-064																	
Symb. Unit	i	T _{2N} N _m	T _{2Not} N _m	n _{1N} rpm	n _{1Max} rpm	j _t arcmin	C _{2t} N _{m/rpm}	F _{2RM} N	F _{2AM} N	J ₁ kgcm ²	η %	L _h h	T °C	Lub	PC	MP	dB
I STAGE	4	30	2×T _{2N}	3300	6000	≤8	13	1300	650	0.13	≥90	>20000	-15~45	Life Lubrication 终身润滑	IP65	Any 任何方向	≤62
	5	40								0.13							
	6	45								0.13							
	7	45								0.13							
	8	45								0.03							
	9	30								0.03							
	10	30								0.03							
II STAGE	20	30	2×T _{2N}	3300	6000	≤8	13	1300	650	0.03	≥90	>20000	-15~45	Life Lubrication 终身润滑	IP65	Any 任何方向	≤62
	25	45								0.03							
	50	45								0.03							
	80	45								0.03							
	100	30								0.03							

MAFR-110																	
Symb. Unit	i	T _{2N} N _m	T _{2Not} N _m	n _{1N} rpm	n _{1Max} rpm	j _t arcmin	C _{2t} N _{m/rpm}	F _{2RM} N	F _{2AM} N	J ₁ kgcm ²	η %	L _h h	T °C	Lub	PC	MP	dB
I STAGE	4	200	2×T _{2N}	2300	6000	≤8	82	7500	3900	2.87	≥90	>20000	-15~45	Life Lubrication 终身润滑	IP65	Any 任何方向	≤68
	5	260								2.71							
	6	330								2.71							
	7	300								2.62							
	8	330								2.61							
	9	200								2.58							
	10	200								2.57							
II STAGE	20	200	2×T _{2N}	2300	6000	≤8	82	7500	3900	0.47	≥90	>20000	-15~45	Life Lubrication 终身润滑	IP65	Any 任何方向	≤68
	25	300								0.47							
	50	300								0.44							
	80	330								0.44							
	100	200								0.44							

MAFR-090																	
Symb. Unit	i	T _{2N} N _m	T _{2Not} N _m	n _{1N} rpm	n _{1Max} rpm	j _t arcmin	C _{2t} N _{m/rpm}	F _{2RM} N	F _{2AM} N	J ₁ kgcm ²	η %	L _h h	T °C	Lub	PC	MP	dB
I STAGE	4	85	2×T _{2N}	2600	6000	≤8	31	3000	1580	0.51	≥90	>20000	-15~45	Life Lubrication 终身润滑	IP65	Any 任何方向	≤63
	5	90								0.47							
	6	90								0.47							
	7	90								0.45							
	8	90								0.45							
	9	65								0.44							
	10	65								0.44							
II STAGE	20	85	2×T _{2N}	2600	6000	≤8	31	3000	1580	0.13	≥90	>20000	-15~45	Life Lubrication 终身润滑	IP65	Any 任何方向	≤63
	25	85								0.13							
	50	85								0.13							
	80	90								0.44							
	100	65								0.13							

MAFR-140																	
Symb. Unit	i	T _{2N} N _m	T _{2Not} N _m	n _{1N} rpm	n _{1Max} rpm	j _t arcmin	C _{2t} N _{m/rpm}	F _{2RM} N	F _{2AM} N	J ₁ kgcm ²	η %	L _h h	T °C	Lub	PC	MP	dB
I STAGE	4	350	2×T _{2N}	2000	5000	≤8	151	12000	8000	7.54	≥90	>20000	-15~45	Life Lubrication 终身润滑	IP65	Any 任何方向	≤71
	5	500								7.42							
	6	520								7.42							
	7	600								7.14							
	8	600								7.13							
	9	420								7.08							
	10	400								7.03							
II STAGE	20	400	2×T _{2N}	2000	5000	≤8	151	12000	8000	2.71	≥90	>20000	-15~45	Life Lubrication 终身润滑	IP65	Any 任何方向	≤71
	25	500								2.71							
	50	500								2.57							
	80	600								2.57							
	100	400								2.57							

Efficiency

The efficiency of planetary reducers varies with several parameters such as ratio, input speed, temperature, lubrication conditions, etc.

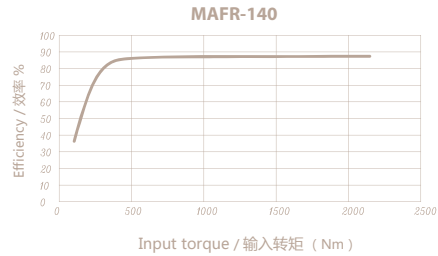
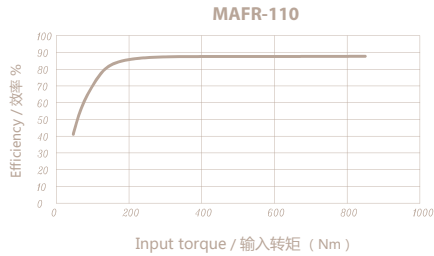
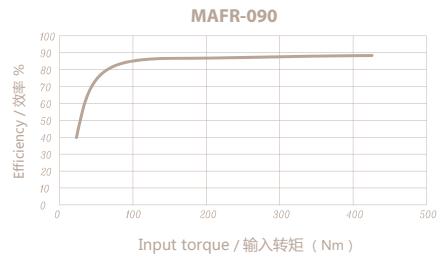
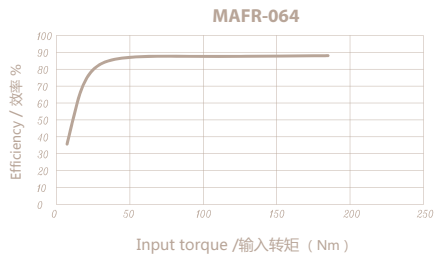
The efficiency was measured under the following working conditions:

Input speed (rpm)	3000
Operating temperature (°C)	25
Lubricant	Standard

效率特性

减速机的效率一般因减速比、输入转速、负载转速、温度、润滑条件而异。
在下列测定条件下，各系列的效率如下所示。此外，图表的数值均为平均值。

输入转速 (rpm)	3000
环境温度 (°C)	25
润滑剂	标准润滑剂



The provided data are only on an indicative basis and are subject to modification.
本样册所提供的相关信息仅供参考，可根据客户需求做出相应改动。